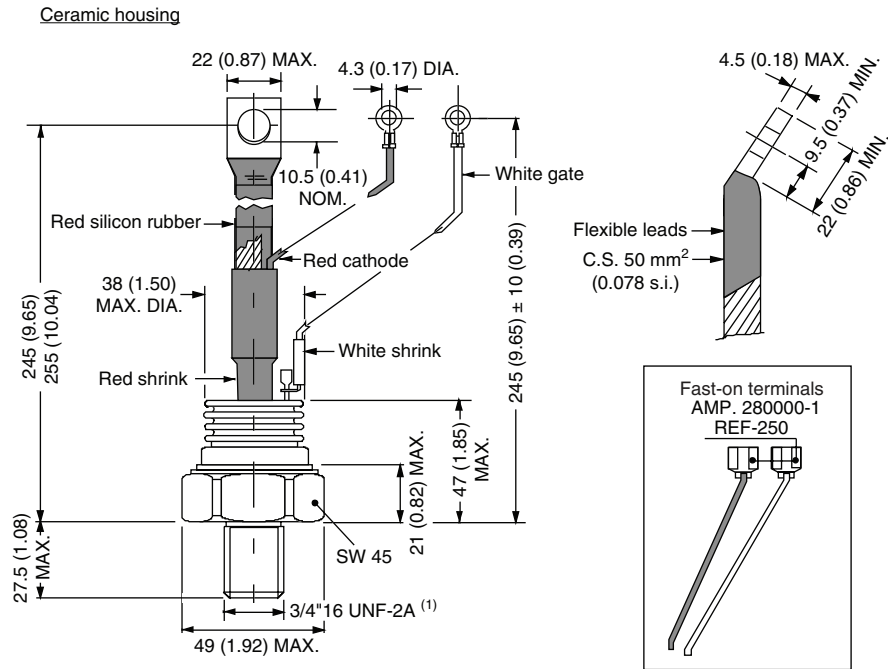


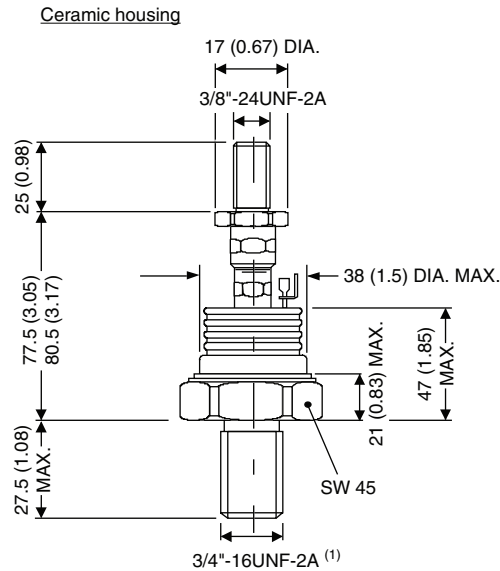
TO-209AE (TO-118)

DIMENSIONS in millimeters (inches)

Case Style TO-209AE (TO-118)



Case Style TO-209AE (TO-118) with top thread terminal 3/8"



Note

(1) For metric device: M24 x 1.5 - length screw 21 (0.83) maximum